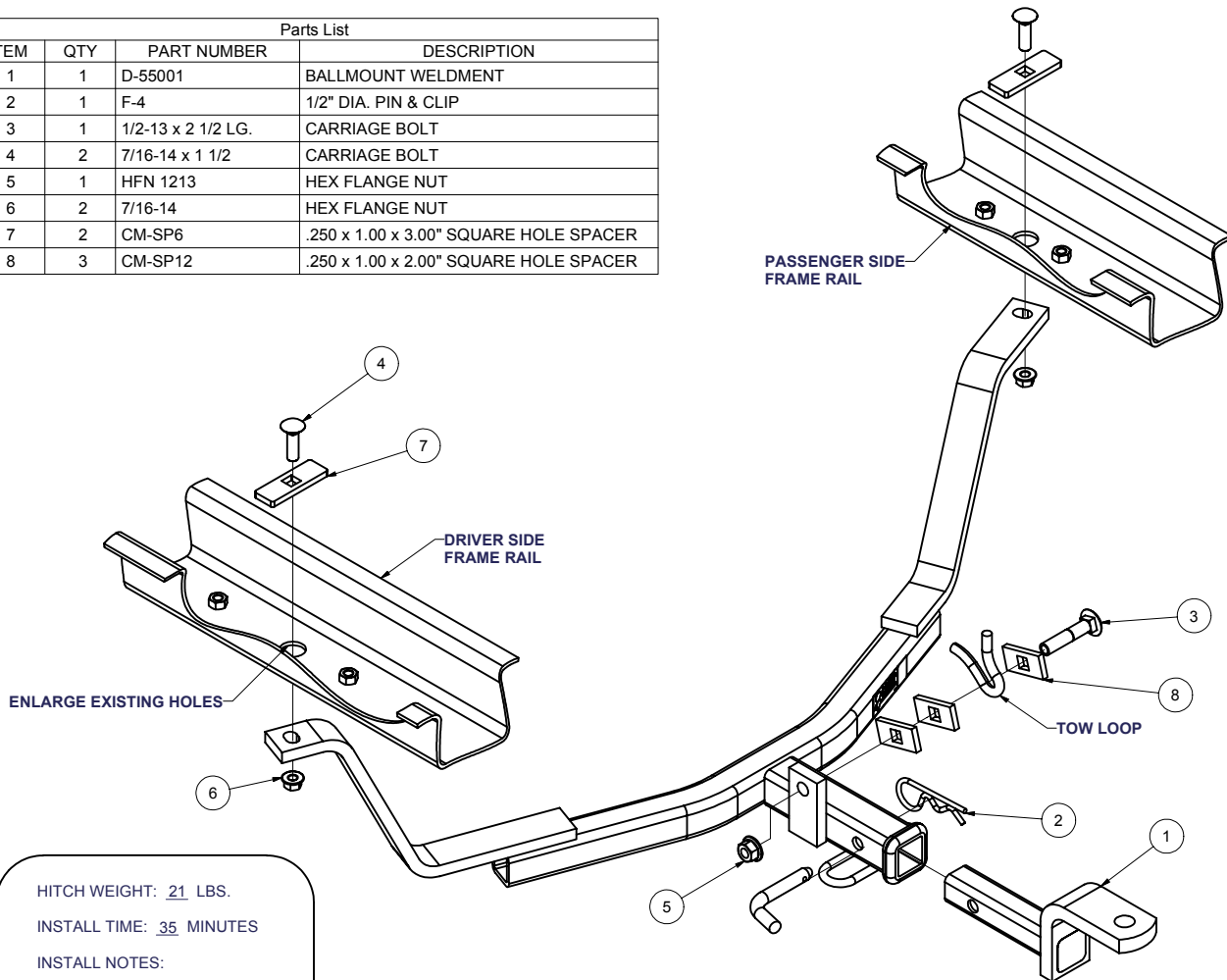


GROSS LOAD CAPACITY WHEN USED AS A WEIGHT CARRYING HITCH: 2,000 LBS. TRAILER WEIGHT & 200 LBS. TONGUE WEIGHT.
*****DO NOT EXCEED VEHICLE MANUFACTURER'S RECOMMENDED TOWING CAPACITY.*****

Parts List			
ITEM	QTY	PART NUMBER	DESCRIPTION
1	1	D-55001	BALLMOUNT WELDMENT
2	1	F-4	1/2" DIA. PIN & CLIP
3	1	1/2-13 x 2 1/2 LG.	CARRIAGE BOLT
4	2	7/16-14 x 1 1/2	CARRIAGE BOLT
5	1	HFN 1213	HEX FLANGE NUT
6	2	7/16-14	HEX FLANGE NUT
7	2	CM-SP6	.250 x 1.00 x 3.00" SQUARE HOLE SPACER
8	3	CM-SP12	.250 x 1.00 x 2.00" SQUARE HOLE SPACER



HITCH WEIGHT: 21 LBS.

INSTALL TIME: 35 MINUTES

INSTALL NOTES:

- ENLARGE EXISTING HOLES
- LOWER EXHAUST

INSTALLATION STEPS

- 1) Lower exhaust by removing rubber isolators from muffler hangers.
- 2) Enlarge existing hole in both frame rails to allow access for 1.00 X 3.00 spacers to be inserted as shown above.
- 3) Insert carriage bolts and block into frame rails and raise hitch into position.
- 4) Loosely install conical toothed washers and hex nuts.
- 5) Position hitch and loosely install tow hook attachment fasteners.
- 6) Torque all 1/2" fasteners to 75 lb-ft, and all 7/16" fasteners to 50 lb-ft.
- 7) Raise exhaust back into position and re-install rubber isolators.

PERIODICALLY CHECK THIS RECEIVER HITCH TO ENSURE THAT ALL FASTENERS ARE TIGHT AND THAT ALL STRUCTURAL COMPONENTS ARE SOUND.